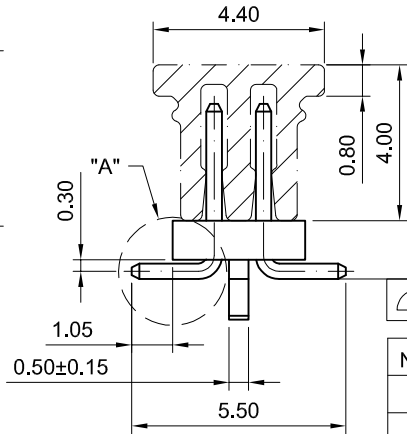
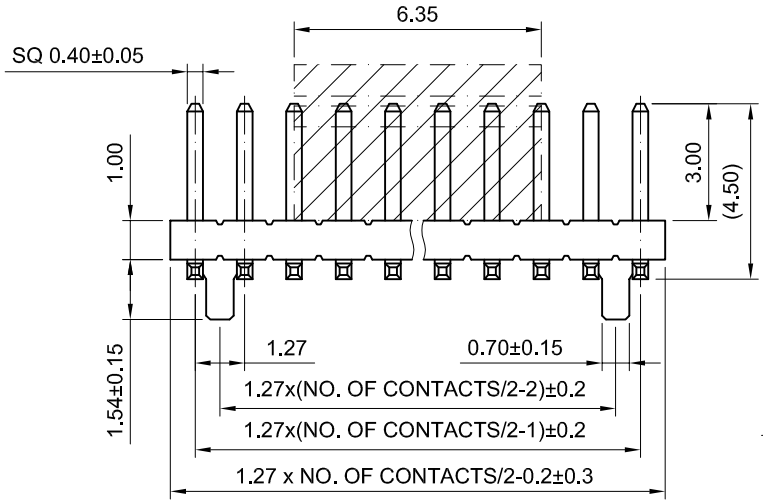
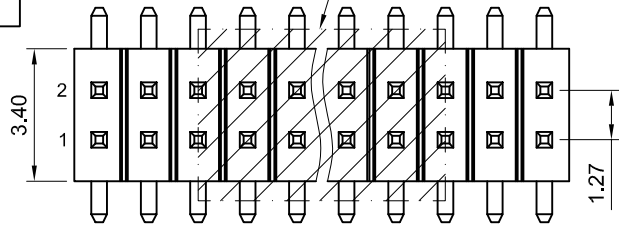




THE COVER USED ABOVE 8PIN



SEE TABLE A

NO. OF CONTACTS	
2 X 02 - 2 X 20	0.12
2 X 21 - 2 X 40	0.18

TABLE A

NOTES:

1.MATERIAL:

- 1.1 HOUSING: SEE TABLE
- 1.2 CONTACTS: SEE TABLE
- 1.3 COVER: SEE TABLE

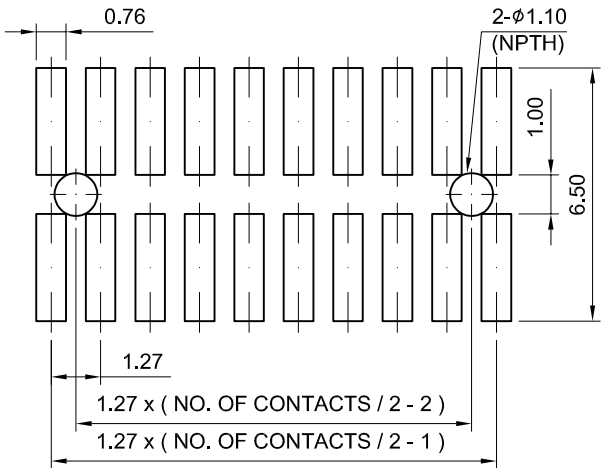
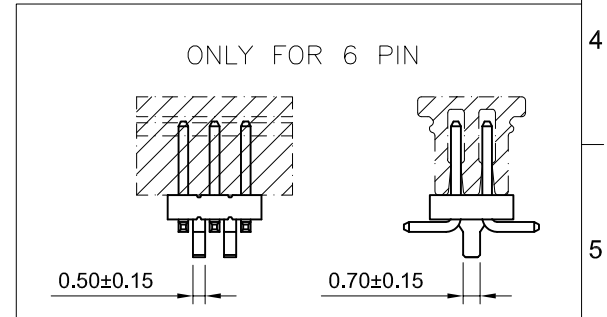
2.FINISH:

- 2.1 CONTACT: SEE P/N
- 3.THE CONNECTOR IS RoHS COMPLIANT.
- 4.BURR IS 0.5mm MAX.
- 5.SPEC. PLS. REFER TO PS-60229-XXXX-XXX
- 6.PACKAGE: SEE P/N
- 7.P/N: 60013-XXX X X-001

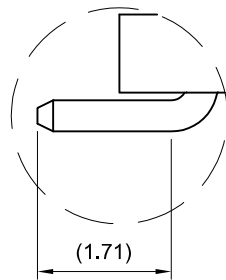
CKTS
010~044 PINS

PACKING
3: BAG
7: TAPE & REEL
WITH COVER
8: TUBE WITH COVER

PLATING:
1:GOLD FLASH OVER ALL



RECOMMENDED PCB LAYOUT (COMPONENT SIDE)
(TOLERANCE:±0.05)



DETAIL "A"
SIDE JOINT LENGTH

TOLERANCES:
±0.30

NO	DESCRIPTION	Q'TY	MATERIAL	PLATING & COLOR
C	COVER	1	LCP	UL 94V-0, BLACK
B	TERMINAL		COPPER ALLOY	0.3u" MIN. GOLD OVER ALL
A	HOUSING	1	NY6T	UL 94V-0, BLACK

QUALITY SYMBOLS		DRAWN BY	DATE	
MAJOR	⊗	LIAO WAN TING	21/01/25	
CRITICAL	⊗	CHECKED BY	DATE	
GENERAL TOLERANCES (UNLESS SPECIFIED)		TENG CHANG HO	21/01/25	
		APPROVED BY	DATE	TITLE
		KUO JUNG HSUN	21/01/25	1.27mm PIN HEADER CONN. SMT D/R S/T TYPE
UNITS		SIZE	A4	RFO NO.
SCALE	X : X	SHEET NO.	1 OF 1	DWG NO.
		REV	D	N/A
				60013-XXXX-XXX